

CLX Series

Exceptional Phase Noise

PRODUCT FEATURES

- Fixed-frequency, internally programmed

GENERAL CHARACTERISTICS

- Frequency: 200 MHz - 4 GHz
- Output Power: 0 to +13 dBm
- Phase Noise (Fout=300 MHz): <-120 dBc/Hz @ 10 KHz
- SMT Package: 0.75" x 0.75" x 0.25"
(19 x 19 x 6.4)mm



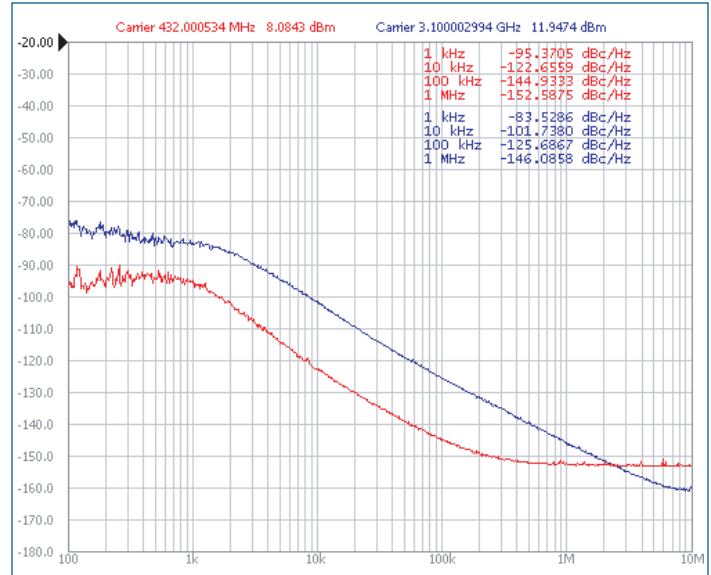
Custom Designs Available

Typical Performance for Select Units

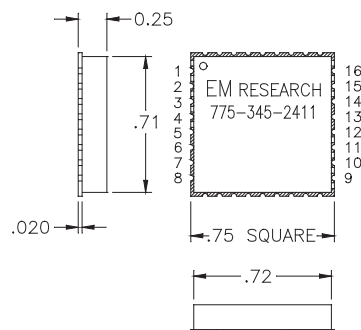
Model #	Power			Phase Noise (dBc/Hz)			Supply	
	Freq. (MHz)	Out (dBm)	Harmonics (dBc)	10 KHz	100KHz	Spurious (dBc)	Voltage (Vdc)	Current (mA)
CLX-275-XX	275	10	-12	-122	-142	-65	5	150
CLX-355-XX	355	7	-12	-118	-140	-65	5	140
CLX-780-XX	780	7	-15	-110	-132	-65	5	130
CLX-900-XX	900	7	-15	-108	-132	-70	3	135
CLX-1450-XX	1450	10	-15	-106	-130	-65	5	130
CLX-1800-XX	1800	7	-18	-104	-130	-70	5	120
CLX-2200-XX	2200	10	-25	-104	-130	-80	5	85
CLX-2450-XX	2450	7	-30	-102	-128	-75	5	70
CLX-2505-XX	2505	13	-30	-102	-126	-75	5	85
CLX-2810-XX	2810	13	-25	-102	-126	-70	5	90
CLX-3200-XX	3200	5	-20	-98	-124	-70	3	70
CLX-3400-XX	3400	7	-20	-98	-122	-75	5	75
CLX-3750-XX	3750	13	-22	-96	-120	-80	5	90
CLX-3950-XX	3950	7	-20	-98	-120	-75	5	75
CLX-4000-XX	4000	13	-20	-97	-120	-75	5	90

*Custom frequencies available. All specifications are typical unless otherwise specified and subject to change without notice.

Phase Noise



Package



PIN OUT

PIN	OUT
1	REF IN
2	GND
3	GND
4	GND
5	GND
6	GND
7	GND
8	GND
9	A-VCC
10	GND
11	RF OUT
12	GND
13	GND
14	GND
15	D-VCC
16	LOCK

Note: All dimensions are in inches, unless otherwise specified

*Drawing not to scale